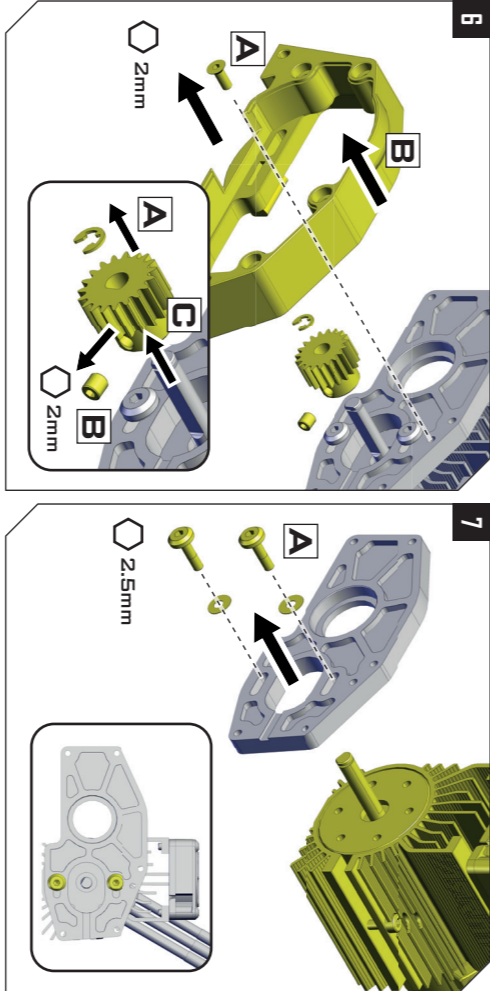
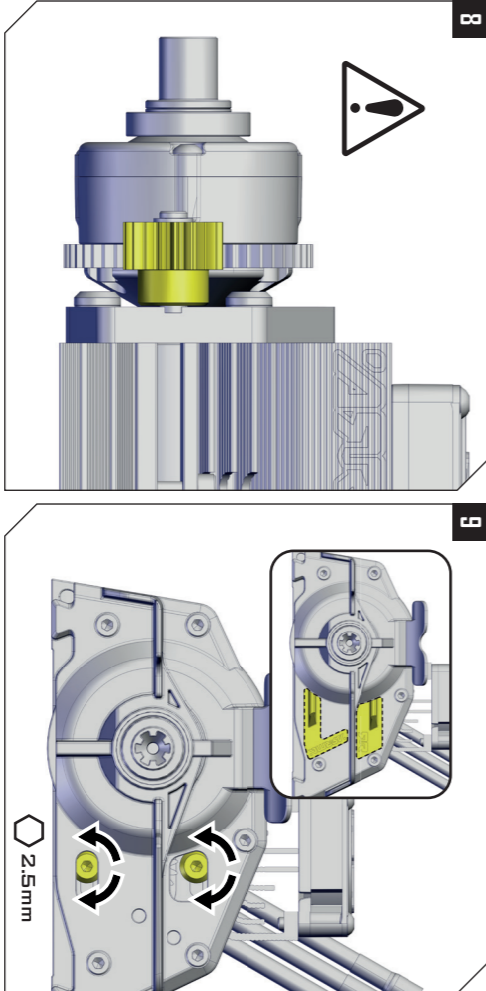
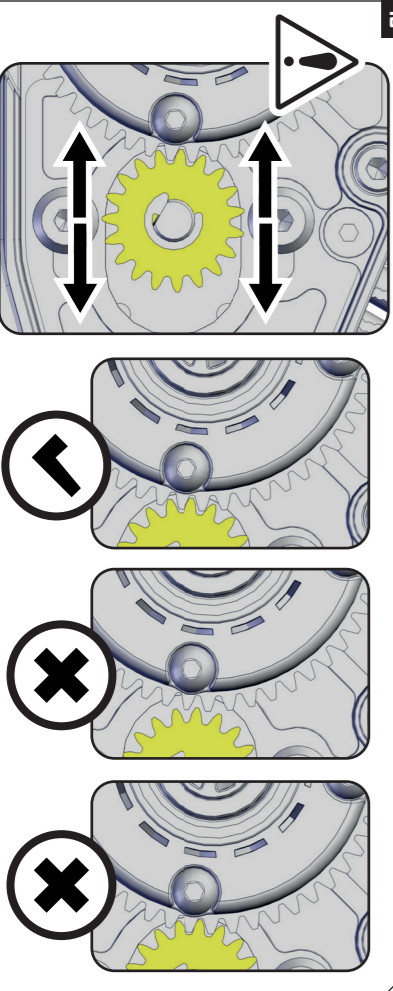


EN HOW TO CHANGE THE PINION/MOTOR
 DE WIE WECHSELT MAN DAS RITZEL/DEN MOTOR
 FR COMMENT CHANGER LE PIGNON/LE MOTEUR



EN OPTIONS
 DE OPTIONEN
 FR POSSIBILITÉS



SAFE-D5 CNC STEEL PINION GEAR	
ARA310996	13T 0.8 Mod
ARA310997	14T 0.8 Mod
ARA310998	15T 0.8 Mod
ARA310999	16T 0.8 Mod
ARA311000	17T 0.8 Mod
ARA311001	18T 0.8 Mod
ARA311002	19T 0.8 Mod
ARA311003	20T 0.8 Mod
ARA311004	21T 0.8 Mod
ARA311005	22T 0.8 Mod
ARA311006	23T 0.8 Mod
ARA311007	24T 0.8 Mod
ARA311008	25T 0.8 Mod
ARA311009	26T 0.8 Mod
ARA311010	27T 0.8 Mod
ARA311011	28T 0.8 Mod

ARA340191 Aluminum Steering Rack

ARA311156 Metal Gear F/R Transmission Module Set (37T/13T, 1.35M)

ARRMA

INFRACTION

4x4 STREET BASH 23S EX



EN TECHNICAL PACK!
 DE TECHNISCHES PACK!
 FR PACK TECHNIQUE!

ARB0005B414 ©2026 Horizon Hobby, LLC. ARRMA RC is a trade name of Horizon Hobby Ltd. Horizon Hobby Ltd is a subsidiary of Horizon Hobby, LLC. ARRMA, the ARRMA logo, INFRACTION is a trademark or registered trademark of Horizon Hobby, LLC. All other trademarks, service marks and logos are property of their respective owners.