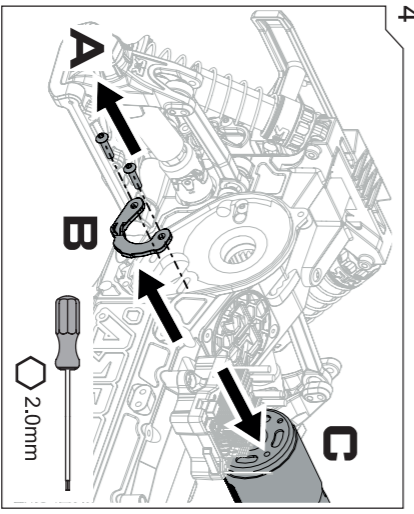
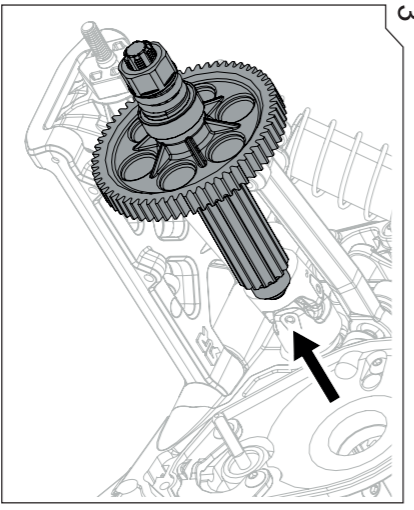
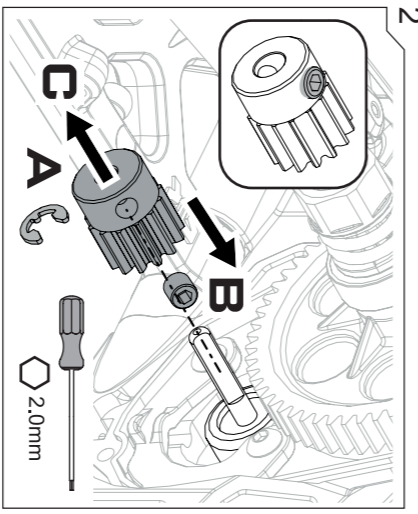
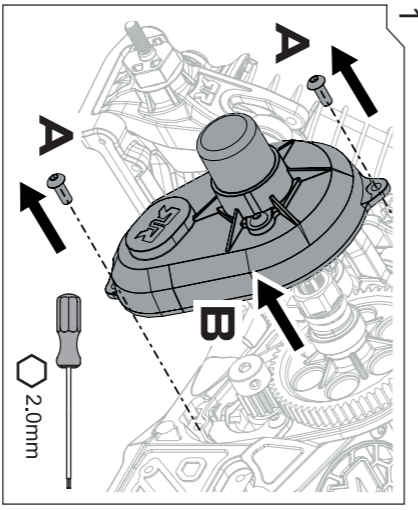




HOW TO... WIE... COMMENT...
Change the Pinion / Motor. Wechselt man das Motoritzelnden Motor. Changez le Pignon / Moteur.

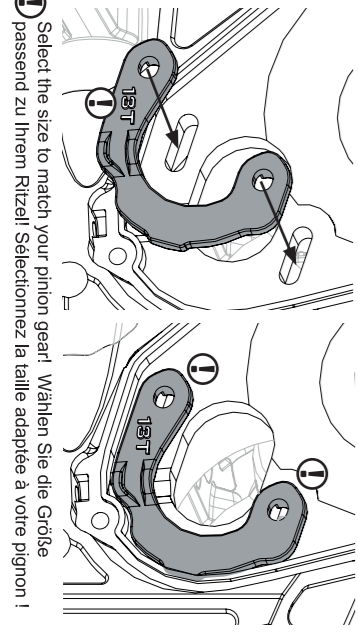
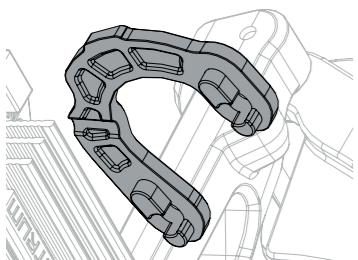
2.0mm



5 Mesh-Safe Plates 13T-20T

Mesh-Safe-Platten 13T-20T
ARA-1760

Plaques grillagées 13T-20T



① Select the size to match your pinion gear! Wählen Sie die Größe passend zu Ihrem Ritzel! Sélectionnez la taille adaptée à votre pignon !

GORGON

23 BLX
ZTD 3S POWER



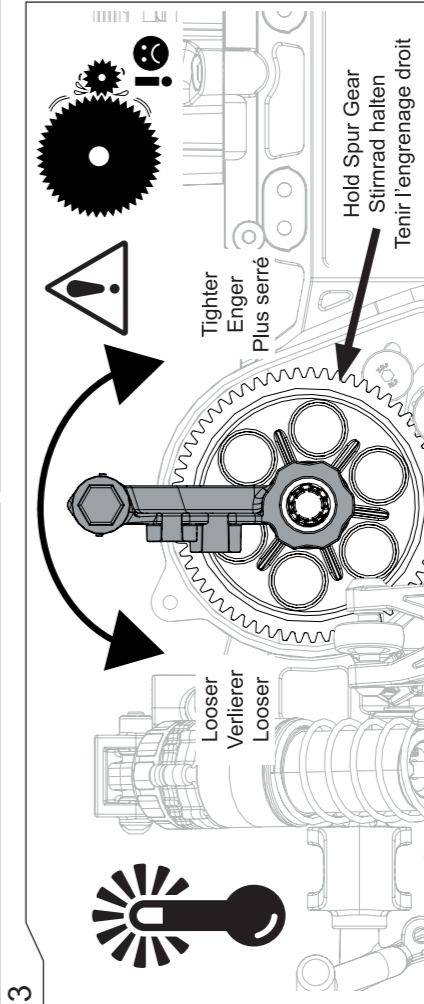
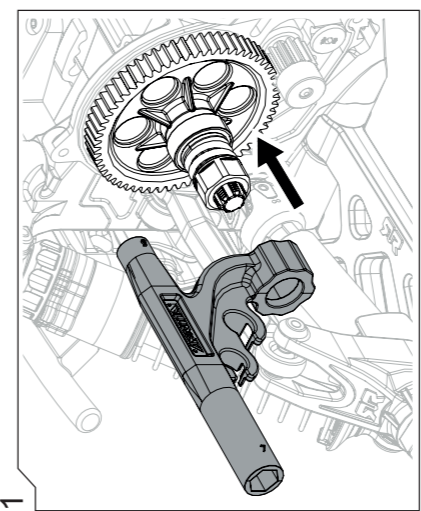
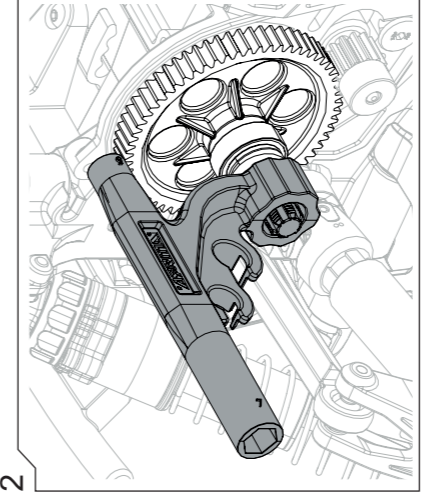
TECHNICAL PACK!
TECHNISCHES PACK!
PACK TECHNIQUE!

ARRMA 0062156 ©2026 Horizon Hobby, LLC. ARRMA RC is a trade name of Horizon Hobby Ltd. Horizon Hobby Ltd is a subsidiary of Horizon Hobby, LLC. ARRMA, the ARRMA logo, BLX and GORGON are trademarks or registered trademarks of Horizon Hobby, LLC. All other trademarks, service marks and logos are property of their respective owners.

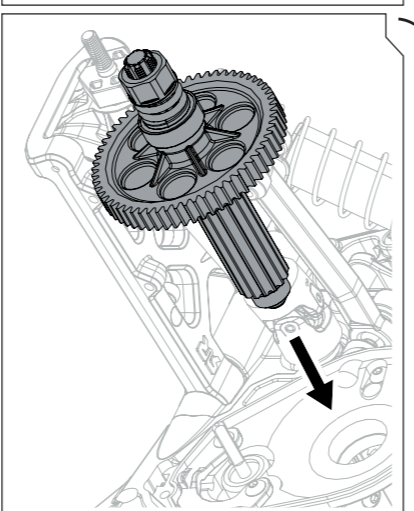
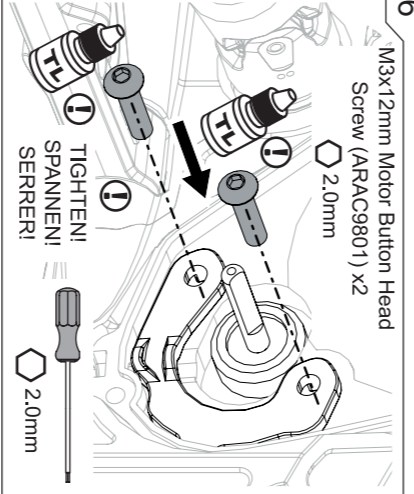
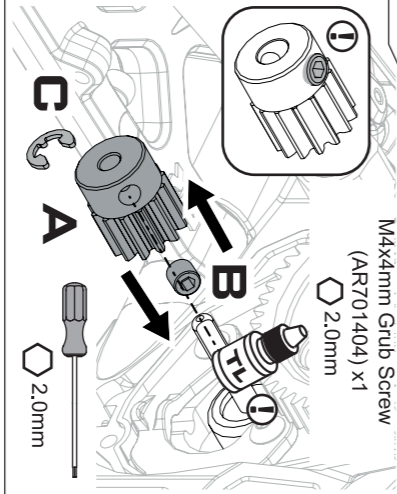
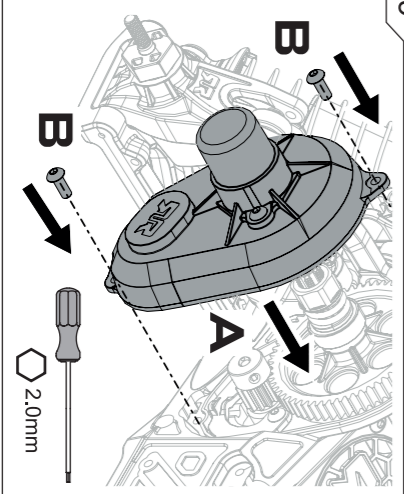
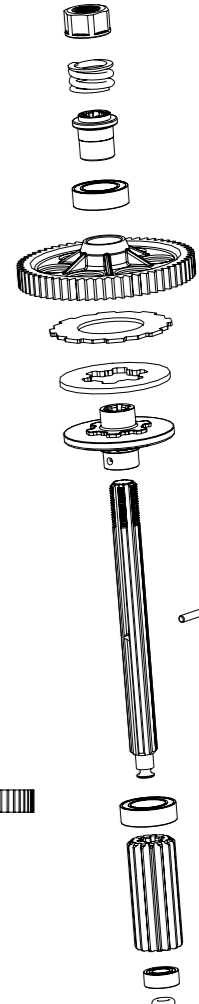
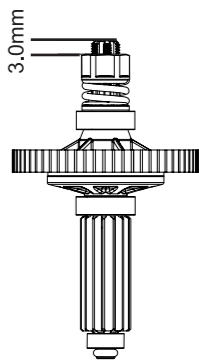


HOW TO... WIE... COMMENT...

Set the Slipper Clutch. Stellt man die Rutschkupplung ein. Réglez de l'embrayage à glissement limité (Slipper)



Factory Default Setting: 3.0mm
Factory Default-Einstellung: 3.0mm
Cadre Deafault d'usine: 3.0mm



M3x12mm Motor Button Head Screw (AR701404) x2
2.0mm

TIGHTENEN!
SPANNEN!
SERRER!
2.0mm

M4x4mm Grub Screw (AR701404) x1
2.0mm

2.0mm